

# Ring Light LW500

The Ring Light LW500 focuses the light on a small surface to inspect small object at a relatively high working distance. The LW500 is using the latest technology in high brightness LED to produce the maximum light intensity. Its small form factor nature makes it ideal for tight space application.

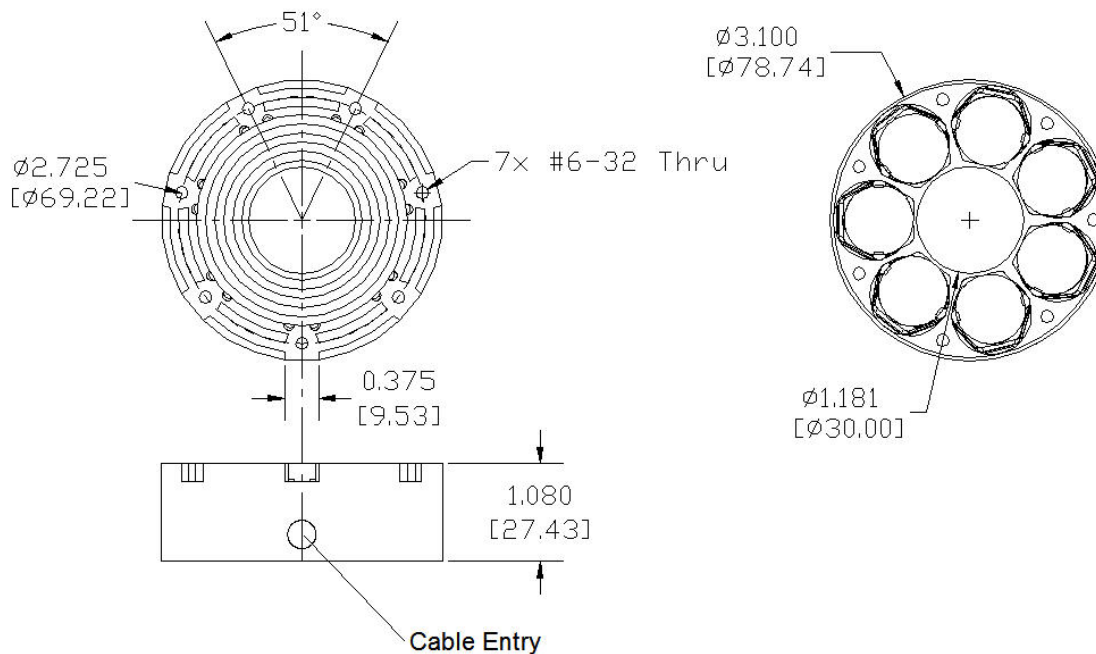
The LW500 is available in White, RED, Green, and Blue. Custom sizes and FOV are available upon request

## Features:

- Focus the light on a small FOV at a relatively high distance
- Machined anodized aluminum construction
- High Power LED with heat management
- Small form factor

## Benefits:

- Allow inspection of small object from far
- Robust construction for industrial application
- Long life, 70% of initial intensity after 50,000 hours
- Ideal for tight space application



All Dimensions: Inch [mm]

## Electrical Specifications:

Parameters	Value	Unit
Minimum Input voltage	24	VDC
Maximum input constant current	1	A
Maximum input pulse current	5	A
Maximum pulse width at I pulse	500	$\mu$ sec
Maximum duty cycle at I pulse	10	%

## Mechanical Specifications:

Parameters	Value	Unit
O.D.	3.100 [78.74]	Inch [mm]
I.D.	1.181 [30.00]	Inch [mm]
Height	1.080 [27.43]	Inch [mm]
Weight	0.3	kg

## Illumination

### Characteristics:

Parameters	Value	Unit
Optimized Light Working Distance	200 - 225	mm
Field of view (FOV)	10 - 20	mm <sup>2</sup>
Spectrum for WHITE	425 - 750	nm
Dominant wave length for RED	626	nm
Dominant wave length for BLUE	470	nm
Dominant wave length for GREEN	525	nm

## Environmental Specifications:

Parameters	Value	Unit
Operating Temperature	0 to 40	°C
Operating Humidity (non-condensing)	10 to 70	%
Storage Temperature	-10 to 60	°C
Storage Humidity (non-condensing)	10 to 70	%